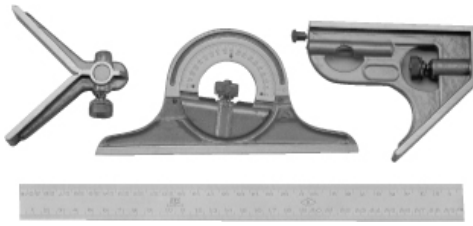


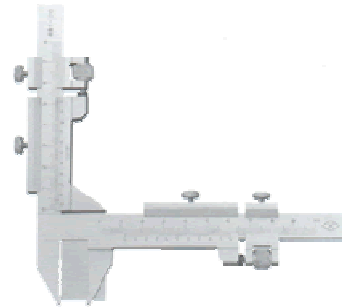
IX

Tools

➤ Tools > Measuring & Cutting Tool



Combination Square
Part Number 0209000000



Gear Tooth Vernier Caliper
Part Number 0209000001

➤ Tools > Tool Set



Angle Grinder
Part Number 0209100000



Belt Sander
Part Number 0209100001



Electric Reciprocating Saw
Part Number 0209100002